

food steel thermo food colour thermos

Range of thermos for solid foods

REF: 89013 – 89120 – 89121

89013



89120



89121



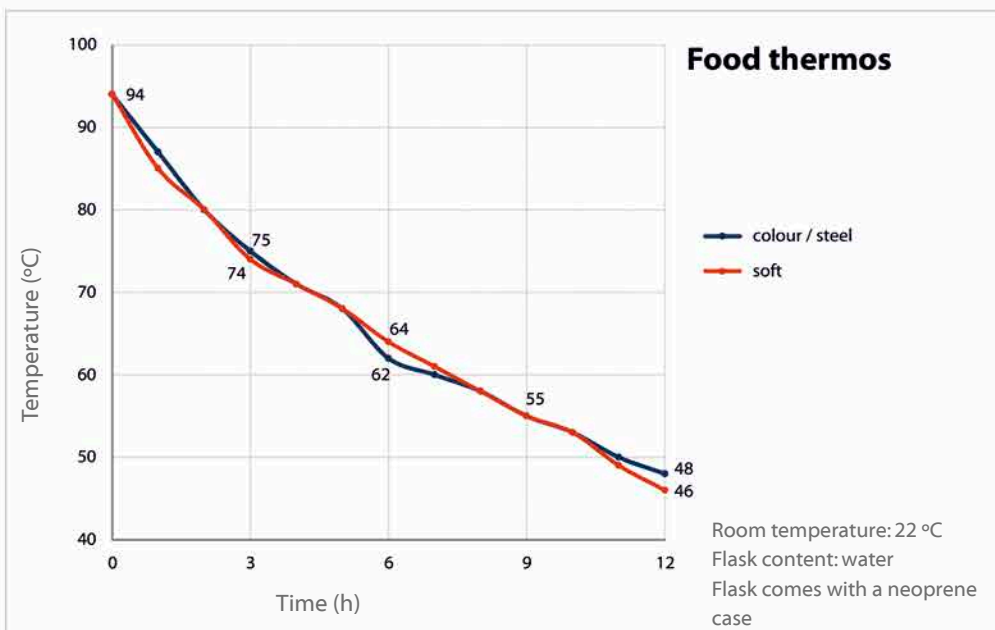
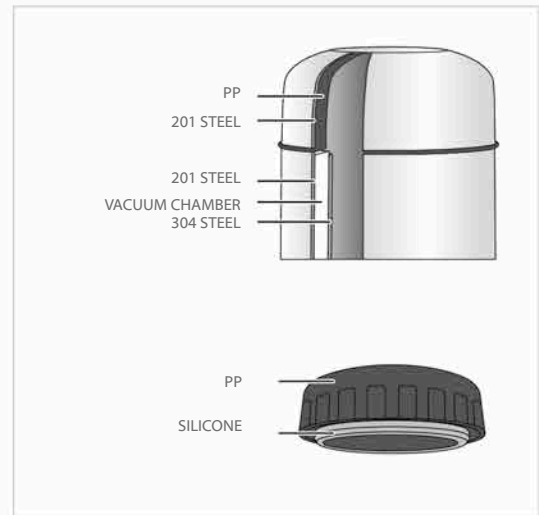
- ⊙ Capacity: 600 ml
- ⊙ Stainless steel
- ⊙ Very resistant
- ⊙ Dual locking cover which keeps the temperature constant for many hours
- ⊙ Suitable for dishwashers
- ⊙ Light
- ⊙ Neoprene case which increases the storage time and allows its easy carriage
- ⊙ Bisphenol A free

food steel thermo food colour thermos

miniland
BABY

little big ideas

Range of thermos for solid foods



Technical features

⦿ Dimensions (width x height x depth):
102.5 x 169 x 102.5 mm

⦿ Weight:
542 g

Miniland S.A. declares the conformity of Food steel thermo and Food colour thermos with the applicable European regulation in force.

minilandbaby.com